

Repair Parts for Xtreme™ and XP Xtreme 180cc Lower

406891H
EN



Important Safety Instructions

Read all warnings and instructions in manual 311762. Save those instructions.

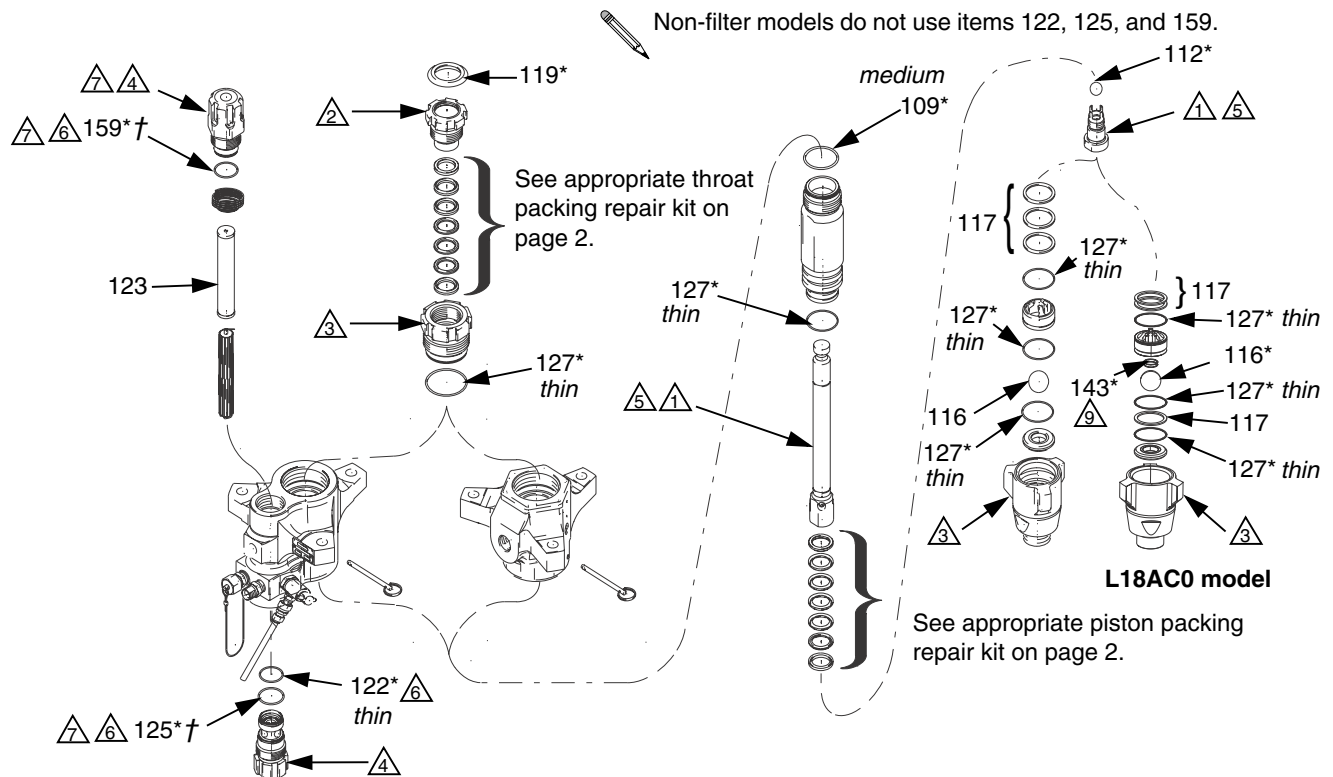
24F969 Xtreme™ Seal Repair Kit

24F970 Tuff-Stack™ Seal Repair Kit

262792 X-Tuff® Seal Repair Kit

Bulk Pack Replacement Parts

- ⚠ Torque to 190-210 ft-lb (258-285 N•m).
- ⚠ Kit 24F969 and 262792 - Torque to 25-30 ft-lb (34-41 N•m).
Kit 24F970 - Torque to 125 ft-lb (169 N•m).
- ⚠ Torque to 140-150 ft-lb (189-203 N•m).
- ⚠ Torque to 40-60 ft-lb (52-82 N•m).
- ⚠ Apply lubricant to threads before assembly.
- ⚠ Lubricate.
- ⚠ Circular grooves on top filter caps (not included) indicates pump series. See page 3 for detailed information.
- 8. Thick, medium, and thin refers to the relative cross-section thickness of the o-rings.
- ⚠ Inlet spring (143) is only used in XP proportioner pumps. If using this kit to repair a lower used on the XM PFP system, do not use spring (143). Discard the spring.



Bulk Pack Replacement Parts

Ref.	Part	Description	Qty.
103*	---	THROAT PACKINGS	1
104*	---	PISTON PACKINGS	1
109*	244892	O-RING, PTFE, top cylinder; medium (10/pack)	1
112*	253029	BALL, piston, 3/4 in. (19 mm) diameter (3/pack)	1
116*	245128	BALL, inlet, 1-1/4 in. (32 mm) diameter (3/pack)	1
117	244855	SHIM, inlet, ball guide (9/pack)	3
119*	244996	PLUG, throat seal, 1.75 in. (10/pack)	1
119	247394	PLUG, throat seal 2.5 in. (10/pack)	1
122*	244895	O-RING, filter; thin, PTFE (10/pack)	1
123	238436	STRAINER, 30 mesh screen, 5.65 in. (143.5 mm) (25/pack)	1
123	224458	STRAINER, 30 mesh screen, 5.65 in. (143.5 mm) (2/pack)	1
123	238438	STRAINER, 60 mesh screen, 5.65 in. (143.5 mm) (25/pack)	1
123	224459	STRAINER, 60 mesh screen, 5.65 in. (143.5 mm) (2/pack)	1
125*	262484	O-RING, filter; medium, PTFE (10/pack)	1
	244896	For Series A pumps (10/pack)	1
127*	244890	O-RING, PTFE, thin (10/pack)	5
143*	116801	SPRING, foot valve; 262792 only	1
159*	262483	O-RING, top cap; PTFE (10 pack)	1
	244895	For Series A pumps (10/pack)	1

* Included in Seal Repair Kits.

† See page 3 to match correct o-ring with pump series. Discard unused o-rings; they do not fit different series pumps.

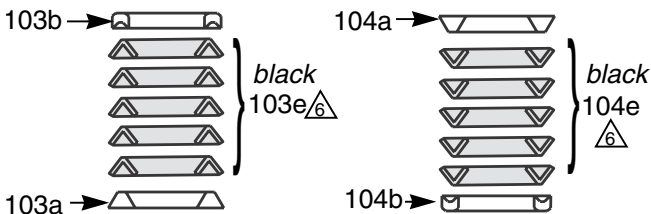
Thick, medium, and thin refers to the relative cross-section thickness of the o-rings.

NOTE: The L18AC0 model uses a 30 mesh filter.

Tuff-Stack™ Seal Repair Kit 24F970

**Throat Packings:
Lips Face Down**

**Piston Packings:
Lips Face Up**



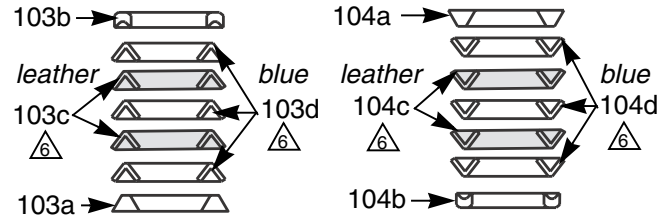
Lubricate Packings

Ref.	Part	Description	Qty.
103a	244882	GLAND, male (4/pack)	1
103b	244876	GLAND, female (4/pack)	1
103e	244858	V-PACKING, carbon-filled PTFE (10/pack)	5
104a	244882	GLAND, male (4/pack)	1
104b	244876	GLAND, female (4/pack)	1
104e	244858	V-PACKING, carbon-filled PTFE (10/pack)	5

Xtreme™ Seal Repair Kit 24F969

**Throat Packings:
Lips Face Down**

**Piston Packings:
Lips Face Up**



Lubricate Packings

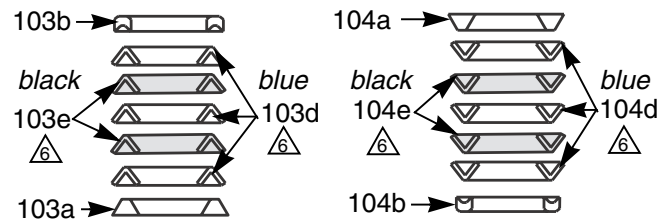
(soak leather packings in oil for 1 hour)

Ref.	Part	Description	Qty.
103a	244882	GLAND, male (4 pack)	1
103b	244876	GLAND, female (4 pack)	1
103c	244870	V-PACKING, leather (10 pack)	2
103d	244864	V-PACKING, UHMWPE (10 pack)	3
104a	244882	GLAND, male (4 pack)	1
104b	244876	GLAND, female (4 pack)	1
104c	244870	V-PACKING, leather (10 pack)	2
104d	244864	V-PACKING, UHMWPE (10 pack)	3

X-Tuff® Seal Repair Kit 262792

**Throat Packings:
Lips Face Down**

**Piston Packings:
Lips Face Up**



Lubricate Packings

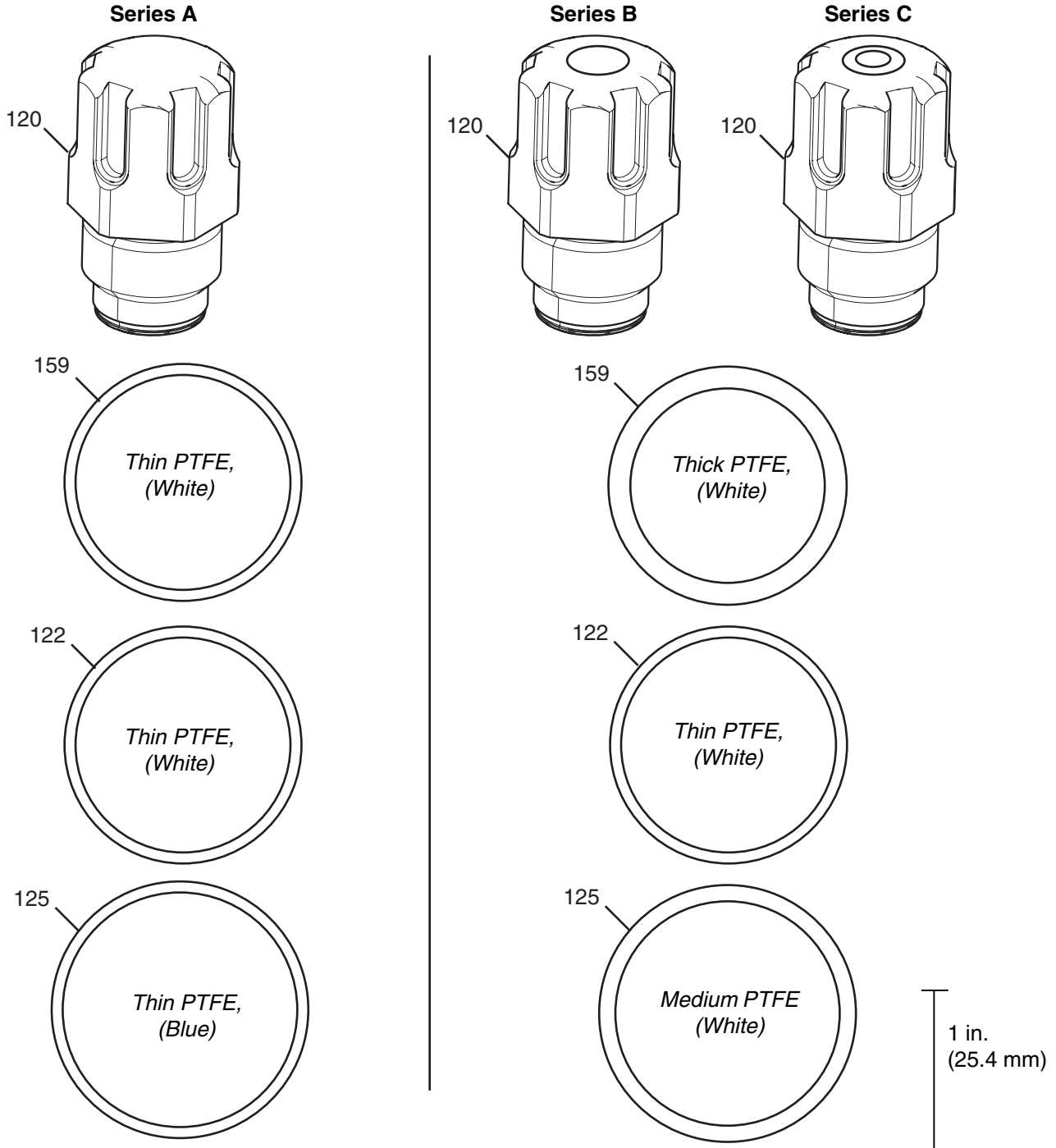
Ref.	Part	Description	Qty.
103a	244882	GLAND, male (4 pack)	1
103b	244876	GLAND, female (4 pack)	1
103c	244858	V-PACKING, carbon-filled PTFE (10 pack)	2
103d	244864	V-PACKING, UHMWPE (10 pack)	3
104a	244882	GLAND, male (4 pack)	1
104b	244876	GLAND, female (4 pack)	1
104c	244858	V-PACKING, carbon-filled PTFE (10 pack)	2
104d	244864	V-PACKING, UHMWPE (10 pack)	3

O-ring Chart

The pump series for all Xtreme and XP lowers are identified by the circular grooves on the top filter cap. Use the chart below to match the correct o-rings when rebuilding the pump.

The original filter cap seals were changed in 2010 for improved sealing. The o-rings are not interchangeable between different series filter caps. See **24F975 Filter Cap Conversion Kit**, page 4.

Note: The top filter cap is shown (not included in the repair kit). O-rings below are shown at actual size.

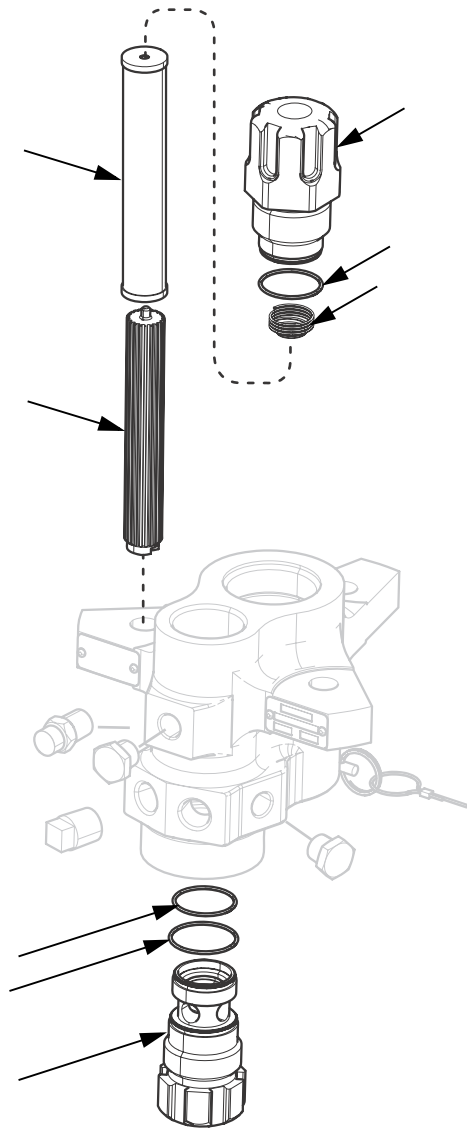


24F975 Filter Cap Conversion Kit

Purchase **24F975 Filter Cap Conversion Kit** to improve sealing of Series A filters. Includes components shown. See manual 406882 for more information.

Benefits:

- Compatible with all sizes.
- Improves sealing
- Ensures filters are installed correctly



All written and visual data contained in this document reflects the latest product information available at the time of publication. Graco reserves the right to make changes at any time without notice.

For patent information, see www.graco.com/patents.

Original instructions. This manual contains English. MM 406891

Graco Headquarters: Minneapolis

International Offices: Belgium, China, Japan, Korea

GRACO INC. AND SUBSIDIARIES • P.O. BOX 1441 • MINNEAPOLIS MN 55440-1441 • USA

Copyright 2010, Graco Inc. All Graco manufacturing locations are registered to ISO 9001.

www.graco.com

Revised March 2013